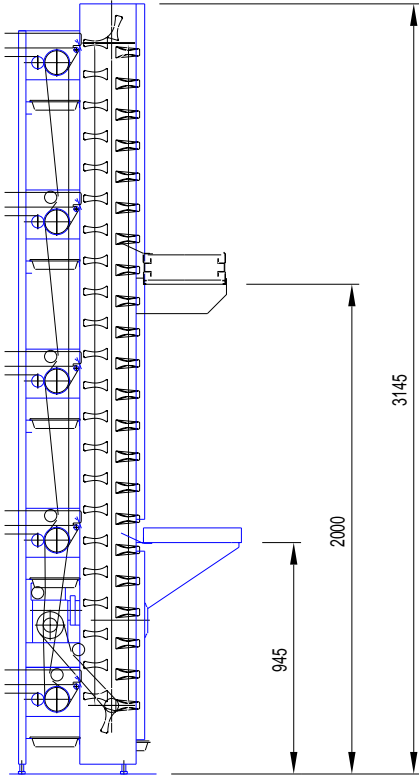


EGG COLLECTOR

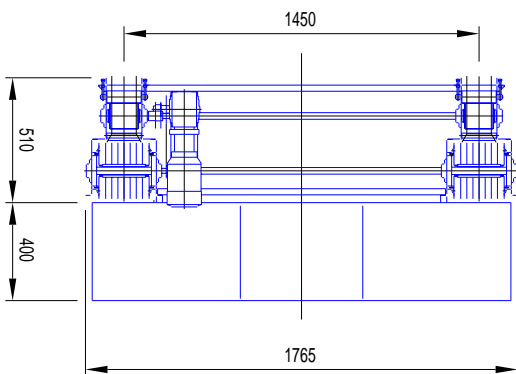
TYPE SV04



5 - Tiers egg collector 5SV04



- Easy connect with egg collector belt
- Adding table for manual collect
- Ability to add external conveyer in any high position of egg collector
- Belt transmission for all egg belts in the rows



Number of tiers	3	4	5
Collecting capacity	5400 ks/hod	7200 ks/hod	9000 ks/hod
Speed of egg belt	1,5 m/s		
Motor input	0,25 - 0,37 kW		
High of egg collector	2385	2510	3145